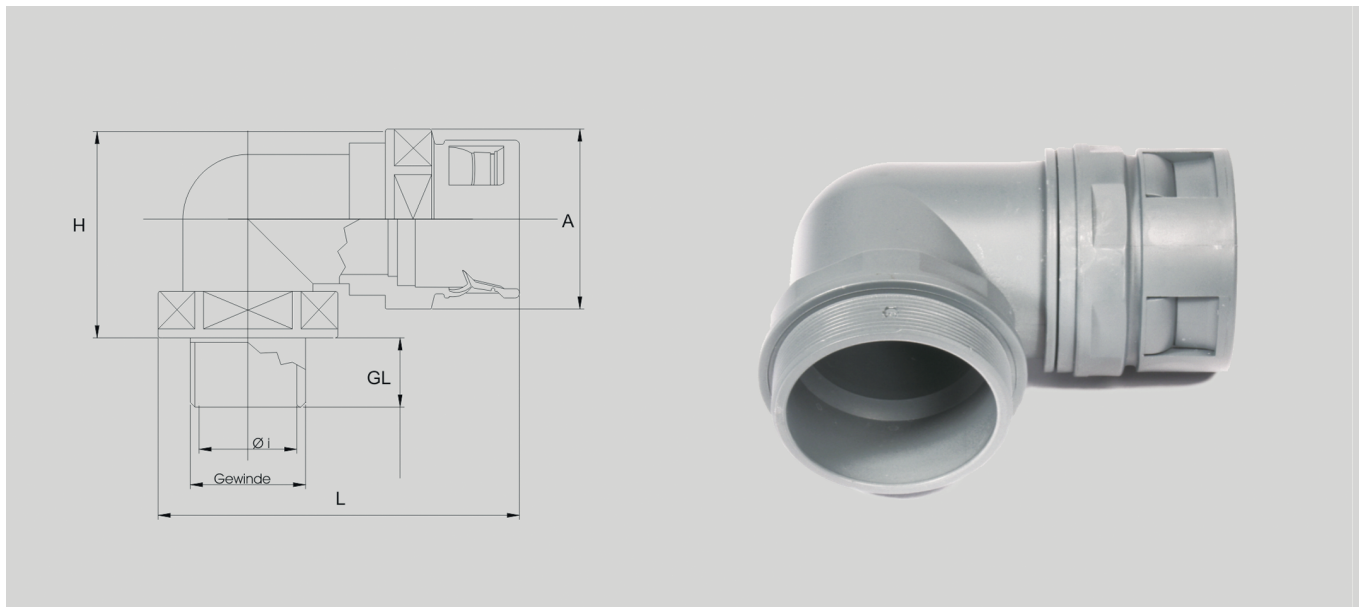


HSSV IP68 corrugated tubes conduit gland - elbow 90°

plastic male thread



Conduit gland HSSV 90° IP 68

Quick-insert glands for a reliable, quick connection.
Suitable for parallel-coiled HELUcond protection tubes.

Application

- Plant and machine construction
- Robot construction
- Automation technology
- Vehicle construction and shipbuilding
- Rail technology
- Installation technology
- Control cabinet construction

Material

Polyamide PA 6

Flammability acc. to UL 94: VO

- halogen-free
- cadmium-free

Properties

resistant to a multitude of

- fuels
- mineral oils
- greases
- weak bases
- weak acids

Note

Interior seal made of TPE.

Threaded connection:

- metric to EN 60423

Each item includes 1 safety opener

Technical data

Protection class: IP 68

Temperature range: -40°C up to +110°C

metric thread

Part no. grey	Part no. black	Size Metric	Suitable for ND	Thread length mm	Unit	Net EUR/100 items at a purchase of		
						up to 100	101 - 500	501 - 1000
920422	920431	M12 x 1,5	10,0	9,5	50	o. r.	o. r.	o. r.
920423	920432	M16 x 1,5	10,0	9,0	50	o. r.	o. r.	o. r.
920424	920433	M16 x 1,5	12,0	8,0	50	o. r.	o. r.	o. r.
920425	920434	M20 x 1,5	17,0	10,5	50	o. r.	o. r.	o. r.
920426	920435	M25 x 1,5	21,0 / 23,0	14,8	50	o. r.	o. r.	o. r.
920427	920436	M32 x 1,5	29,0	13,8	25	o. r.	o. r.	o. r.
920428	920437	M40 x 1,5	36,0 / 37,0	15,6	25	o. r.	o. r.	o. r.
920429	920438	M50 x 1,5	48,0 / 50,0	16,0	10	o. r.	o. r.	o. r.
920430	920439	M63 x 1,5	48,0 / 50,0	15,5	5	o. r.	o. r.	o. r.

Dimensions and specifications may be changed without prior notice.

o. r. = on request