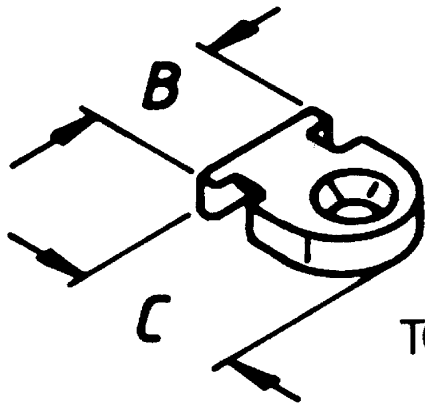
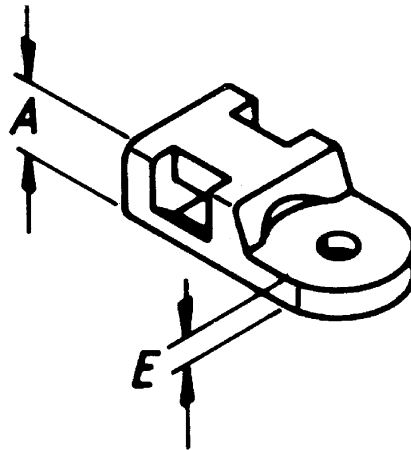


# TC mounting base



TC 104



TC 814

## TC for band fastening

Small base for band fastening with countersunk screws, cylinder bolts or rivet assembly.

## Material

Polyamide 6.6  
Colour: transparent

## Technical data

Temperature range: -40°C up to +85°C  
Temperature range temporary up to +105°C

### for band fastening

Part no. transparent	Type	Fixing	A mm	B mm	C mm	D mm	E mm	F mm	Boring mm	Tie width max. mm	Unit	Net EUR/ 100 items at a purchase of		
												up to 1000	1001 - 5000	5001 - 10000
91039	TC 102	Screw-in	3,2	12,7	19,1	-	-	-	4,4	4,8	100	o. r.	o. r.	o. r.
91040	TC 104	Screw-in	2,4	7,9	10,3	-	-	-	3,4	2,4	100	o. r.	o. r.	o. r.
91042	TC 112	Screw-in	4,8	9,5	19,1	-	2,0	-	4,4	4,8	100	o. r.	o. r.	o. r.
91043	TC 812	Screw-in	4,8	9,5	19,1	-	2,0	-	5,1	4,8	100	o. r.	o. r.	o. r.
93006	TC 814	Screw-in	4,8	9,5	19,1	-	2,0	-	3,3	4,8	100	o. r.	o. r.	o. r.

Dimensions and specifications may be changed without prior notice.

o. r. = on request